

### THREAD TYPE, IRON BODY WATER METER CLASS B TYPE P-MAX / MODEL MDI DN15~20



#### Application:

--Measuring the total volume of cold portable water passing through the pipeline.

#### Feature:

- Multi-jet, dry-dial, easy for maintenance.
- Magnetic drive reliable characteristic, long working life.
- Vacuum sealed register ensures the dial keep free from fog and frost, keep the reading clear in a long term service.
- Technical data conform to international standard ISO4064 Class B .

#### Working condition:

Water temperature: 0.1°C ~ 50°C for cold water meter .

Water pressure : ≤ 1.6Mpa.

#### Maximum permissible error:

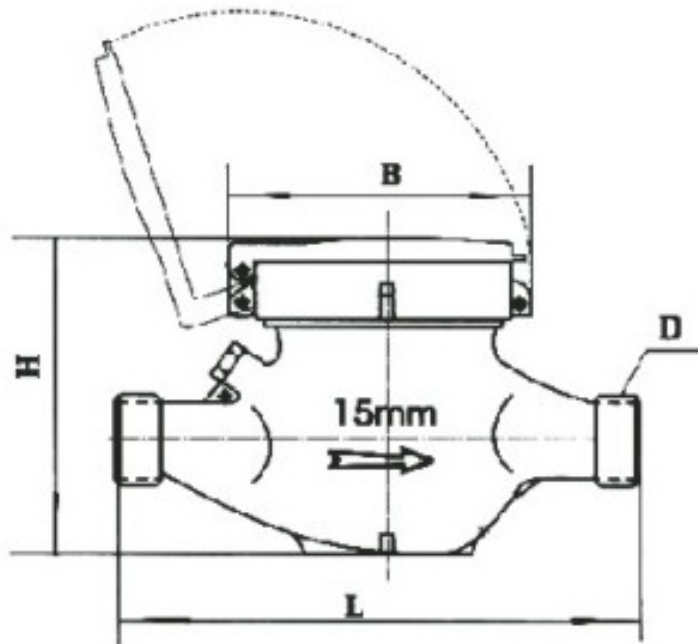
- (1) in the lower zone from  $Q_{min}$  inclusive up to but excluding  $Q_t$  is  $\pm 5\%$ .
- (2) in the upper zone from  $Q_t$  inclusive up to and including  $Q_{max}$  is  $\pm 2\%$ ;

#### MAIN TECHNICAL SPECIFICATIONS

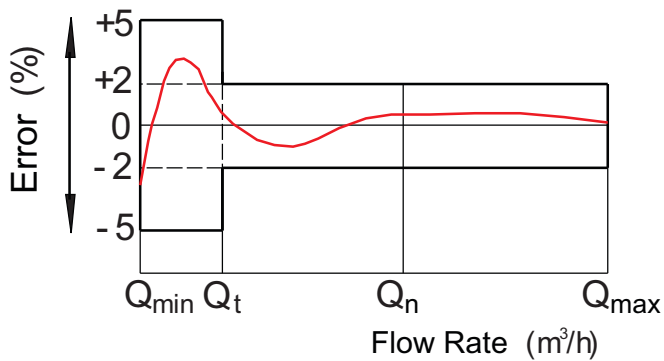
Type / Model	Size (mm)	Class	$Q_{max}$	$Q_n$	$Q_t$	$Q_{min}$	Start flow Rate	Minimum Reading	Maximum Reading
			Overload Flow	Permanent Flow	Transitional Flow	Minimum Flow			
			m <sup>3</sup> /h			L/h		m <sup>3</sup>	
P-MAX / MDI 15	15	B	3	1.5	120	30	5~7	0.00005	99,999
P-MAX / MDI 20	20	B	5	2.5	200	50	7~10	0.00005	99,999

### DIMENSIONS

TYPE	SIZE	L Length	B Width	H Height	d Connecting Thread
	mm				
P-MAX/MDI 15	15	165	104	121	G3/4B
P-MAX/MDI 20	20	195	104	121	G1B



Flow Error Curve



Pressure Loss Curve

